

DXL

IMPLANT SYSTEMS

DXL-PREMIUM HYBRID



DXL-SMART IMPLANT

PHILOSOPHY

Be Thankful...

A Bridge to the Future

A company's investment in its future, should not only be its focus on immediate opportunism... it should have a long-range "vision-bridge" into that future.

A Philosophy for the Future

Those who dream big for the future, should know well about insisting on "small-stepped" benefits from mutual business relationships with potential partners.

A Sustainable Future

For individuals, the society, the environment, the local economy... hence, a sustainable future for humanity is the goal.

The Future and Our Stakeholders

We believe there is enough fair margin of opportunity for each and every one of our future patrons.

DXL® Medical continues to provide dental implant solutions to interNational dental implantology markets with its innovative products & services that enrich life and digital systems integration.

DXL® Medical makes use of opportunities provided by the modern technology of its sub-contractors and entertains being part in determining the trend of future dental implantology – hence focusing its investments in continuous research and development.

In our vision, the best way to foresee the future, is to design it!

DXL® Medical strives to maintain a highest comfort level for both practitioners & patients, by providing on- and after-sales services – which analyze the workflow and optimize the system.

DXL® Medicals' tried & proven dental implant systems are benchmarks in product quality, hence value-for- economy.

We are not here to create limits – we are here to break limits !!

CONTENTS



DXL IMPLANT SYSTEMS

4 DXL Medical Company	35 Locators
5 DXL Implant Products	36 Ball Abutments
7 DXL Premium Hybrid Implant	37 Prosthetics for CAD/CAM
15 DXL Smart Implant	38 Prosthetic Screws
21 Suprastructures	39 Surgical Instruments
22 Healing Caps	42 Surgical Tri-Flute Drills
24 Cover Screws	44 Implant Drivers
25 Standard Straight Abutments	45 Hand Drivers and Others
28 Aesthetic Straight Abutments	47 Stoppers for Drills
29 Aesthetic Angled Abutments	49 Laboratory Instruments
31 Multi Straight Abutments, Hex/Non-Hex	50 Laboratory Analog
32 Multi Angled Abutments	50 Scanning Transfers
33 Multi Angled Abutments, Non-Hex	51 Impression Transfers
	52 Multi Impression Transfers
	53 POM Burn-Out Abutments

About Us

A new name and quickly known.

A highly competent entrepreneurship with technical & management experience of several decades about international dental implantology market; The **DXL**® Medical GmbH is a reliable partner for your dental implantology needs.

The vision remains the same as in the beginning, hence since its inception/incorporation – to offer dental implant-based solutions with the best "**ImplantoLogical**" accumen available, and at the best ratio of benefit-price available at the market.

The mission of the undertaking is to research & develop, manufacture and market, reliable and highest quality dental implant systems solutions for both practitioners and patients.

The company tends to work multi-disciplinary – in the sectors of design optimization, production mitigation, quality control, customer service, sales support, follow-ups, post-marketing surveillance and clinical evaluations (customer) – all of which are geared towards an easier and more effective dental implant therapy, with the greatest of practitioner, hence patient comfort in mind.

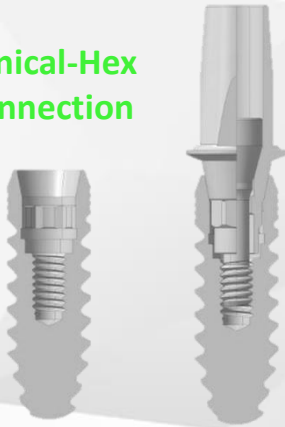
Our QM

DXL® Medical conducts continuous and systematic quality control of all raw materials, processes and products, which are prescribed by the International Quality Standards ISO13485:2016 and the Medical Devices Directive 93/42/EEC.

The products are made to **DXLs** specifications, facilitating our CE-certified sub-contractors and their most advanced high-end technical equipments & processes.

PRODUCT

Conical-Hex Connection



Unique and Easy Protocol

We offer a simple and reliable solution for all possible clinical situations... the doctor uses only one surgical kit to perform operations with all implant types.

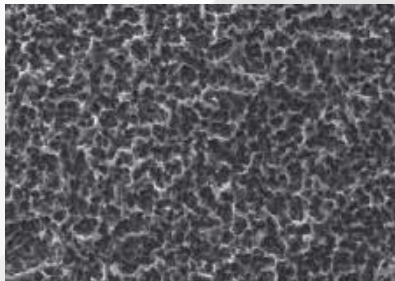
Ideal Connection

DXL® implants have a "sealed-fit" conical-hex implant-abutment interface.

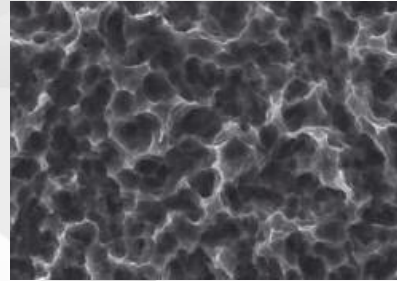
Surface

DXL® "SBAE" (Sand-Blasted Acid-Etched) surface is a latest generation of this type of standardized surface.

1500x magnification

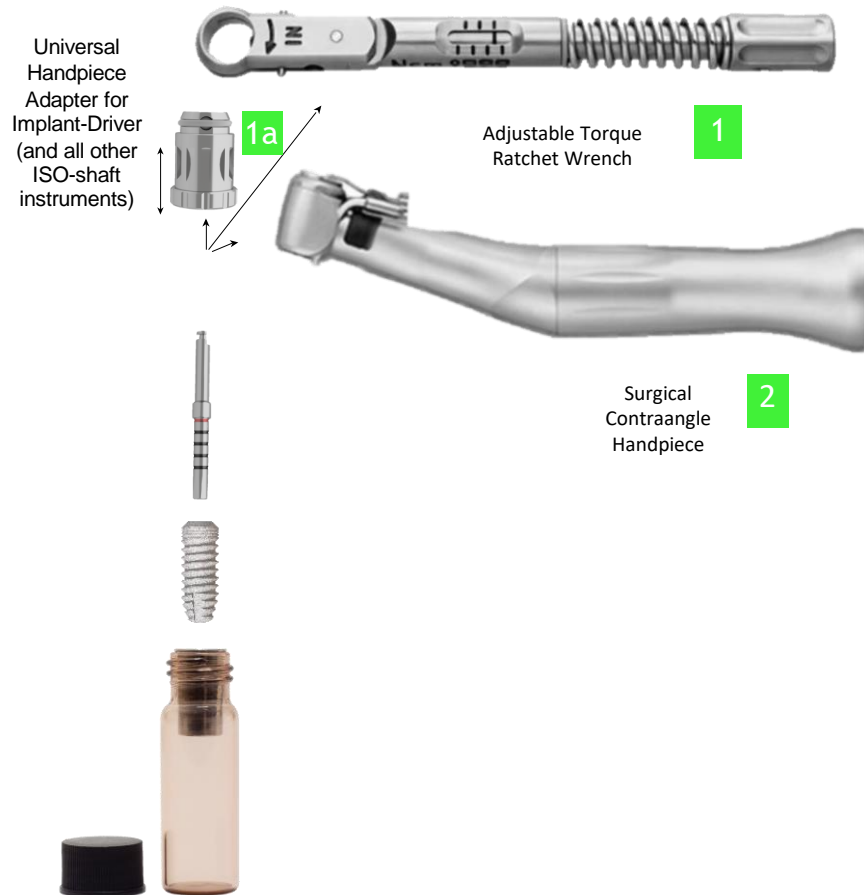


5000x magnification



The surface morphology of DXL® dental implants has the ideal parameters to ensure the bond between the jaw bone and the dental implant.

The SBAE surface has micropores and homogeneity. These micropores grow through the entire thickness of the oxide layer. When combining, they create a multi-layered surface – thus the implant surface area is significantly increased. This allows bony tissue not only to grow deeply into the micropores, but also to grow between them. Respectively, the contact between the bony tissue and the implant surface is strengthened. The unique properties of the surface can allow performing a prosthetic rehabilitation at an earlier stage, as well as significantly reduce the risk of implant-loss during implant placement under one-stage protocol.



In order to prevent dental implant surface contact, hence contamination with foreign materials or particles prior to/during loading/removal/insertion, the implant is contained in a titanium cradle, which is suspended in a screw-top, glass bottle, sealed in a tyvek-covered, sterile blister pack.

EXPLANATION OF THE SIGNS & SYMBOLS



Batch number.



Item number.



Please read the instructions for use (IFU) carefully.



Use before expiration date.



For single use only.



Package shall be kept away from moist/wet conditions.



To identify the manufacturer of a product.



Gamma sterilized.



Do not use if package is damaged.



The device should not be re-sterilized after it has been opened.



Maximum and minimum temperature range (°C) for allowed storage.



Package shall not be exposed to direct sunlight.



DXL products are CE marked and comply with the requirements of Medical Device Directive 93/42 EEC.

**THE DXL[®] MEDICAL
PREMIUM HYBRID
&
SMART IMPLANT**

CONICAL-HEX CONNECTION

The morse-tapered hexagon, or conical-hex is a "standardized" implant-abutment connection, which enables indexing and positively maintains the stability of permanent dental fixtures. The conical part has a bacteria-dense seal. The sloped-shoulder can ensure and maintain a greater boney-wall apposition.

THREAD SPECS

The crestal micro-threads show excellent results of compression reduction in this ever so vulnerable region; whereas the spiral-shaped trapezoidal coarse thread was developed for a better primary stability; therefore this implant is recommended to be used for all bone densities.

SURFACE

DXL® implants have a specific surface roughness (Ra: 2.3 - 3.0 µm) which supports a predictable osseointegration into the jawbone without complications. DXL implants SBAE (Sand-Blasted Acid-Etched) surface is the latest generation of this type of standardized dental implant surface. The increased surface area provides for an ideal coagulum-docking, which is responsible for the boney-wall-to-implant apposition. Due to this advantage the implant maintains a higher primary stability and has a quicker osseointegration.

APICAL DESIGN

Due to the precise convex or "bullet-nose" non-invasive apical implant design/shape, it can prevent damage/trauma to anatomical bone structures or the sensitive sinus membrane tissue, such as during sinus-lift procedures – thus reducing the time of the surgical protocol.



In order to continuously develop our designs/types of dental implants, we engage in a communicative exchange with implantologists in private practice:s/clinic:s as well as at university level and observe our technology transfer very closely and critically.

Established "gold:en standard" requirements, as well as current trends in implant design and surface topography, are transformed into viable dental implant solutions with our supply-chain engineers, technicians and contacts.

Through innovative technologies, optimization processes, controlled quality and a high level of innovation, the DXL® Medical GmbH succeeds in combining technology, design and product, into a dental implant-bodily harmony, especially for you. In lieu of this background, innovative solutions have been created, which we are happy to implement in accordance with your requirements, to fabricate individually unique and sustainable dental implants/secondary components.

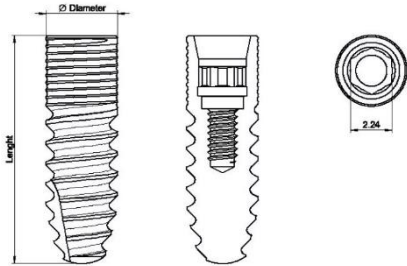
With the dental implant types from DXL® Medical, you can provide your patients with a targeted, predictable, responsible and sustainable dental implant therapy.

The "Premium Hybrid" and the "Smart" dental implant types from DXL® Medical are both fully "feature-loaded", durable/versatile and meet or exceed the highest demands/standards.

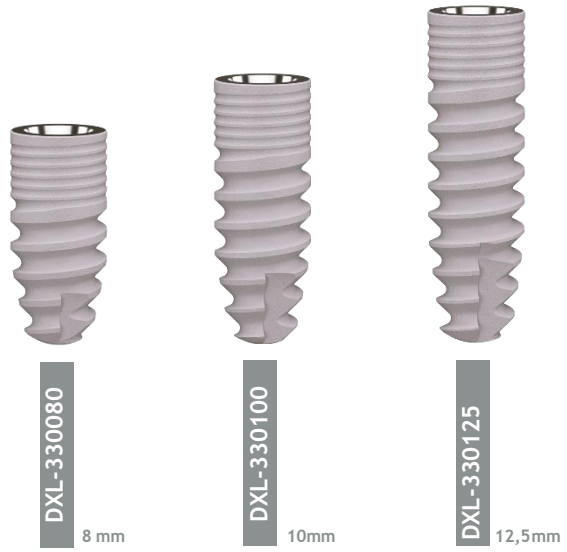
Are you looking for a "Great & Affordable" solution in the dental implant segment, hence a solution to avoid products that only encourage patient migration?

Then you are in the best of hands with DXL® Medical Dental Implant System:s Solutions !!

DXL PREMIUM IMPLANT



PRODUCT CODE
LENGTH



NARROW
PLATFORM

DIAMETER
3.3

COLOUR CODE
PINK

INTERNAL HEX
2.1

DXL NARROW COVER SCREW STERILE
Ø2,6xH0mm / DXL-3000001-N-S



Only DXL Premium Hybrid Implant with cover series include cover screw.

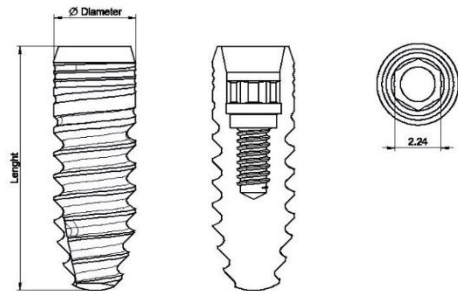
ATTENTION!

It is used for installation in front and lateral parts canines, incisors, premolars.
It is possible to order implants with cover screw.

Please, consult DXL web site for implantation protocol.

www.dxlimplant.de / ifu.dxlimplant.de

DXL PREMIUM HYBRID IMPLANT



PRODUCT CODE
LENGTH

DXL-PH-3808
8 mm

DXL-PH-3810
10 mm

DXL-PH-3812
12mm

DXL-PH-3814
14mm

STANDARD
PLATFORM

DIAMETER
3.75
COLOUR CODE
RED
INTERNAL HEX
2.24



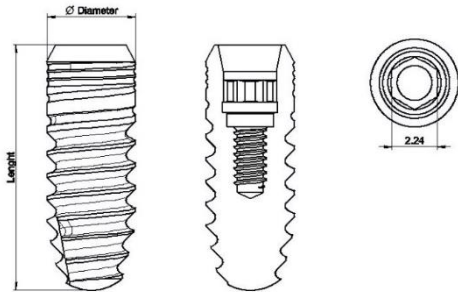
DXL COVER SCREW STERILE
Ø3,1xH0mm / DXL-3000001-S
Only DXL Premium Hybrid
Implant with cover series
include cover screw.

ATTENTION!
It is possible to order implants with cover screw.

Please, consult DXL web site for implantation protocol.

www.dxlimplant.de / ifu.dxlimplant.de

DXL PREMIUM HYBRID IMPLANT



PRODUCT CODE
LENGTH

DXL-PH-4108
8 mm

DXL-PH-4110
10 mm

DXL-PH-4112
12 mm

DXL-PH-4114
14 mm

STANDARD
PLATFORM

DIAMETER
4.1

COLOUR CODE
GREEN

INTERNAL HEX
2.24



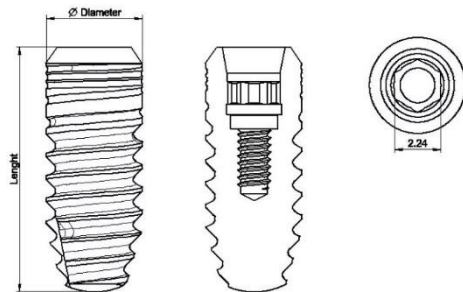
DXL COVER SCREW STERILE
Ø3,1xH0mm / DXL-3000001-S
Only DXL Premium Hybrid
Implant with cover series
include cover screw.

ATTENTION!
It is possible to order implants with cover screw.

Please, consult DXL web site for implantation protocol.

www.dxlimplant.de / ifu.dxlimplant.de

DXL PREMIUM HYBRID IMPLANT



PRODUCT CODE
LENGTH



DXL-PH-4508
8 mm

DXL-PH-4510
10 mm

DXL-PH-4512
12mm

DXL-PH-4514
14mm

STANDARD
PLATFORM

DIAMETER
4.5
COLOUR CODE
PURPLE
INTERNAL HEX
2.24



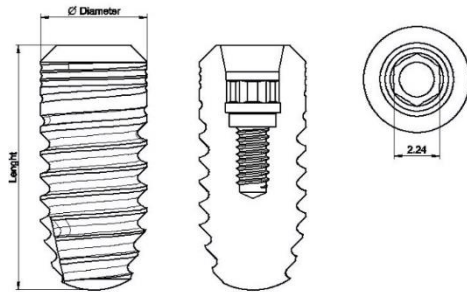
DXL COVER SCREW STERILE
Ø3,1xH0mm / DXL-3000001-S
Only DXL Premium Hybrid
Implant with cover series
include cover screw.

ATTENTION!
It is possible to order implants with cover screw.

Please, consult DXL web site for implantation protocol.

www.dxlimplant.de / ifu.dxlimplant.de

DXL PREMIUM HYBRID IMPLANT



PRODUCT CODE
LENGTH

DXL-PH-5008
8 mm

DXL-PH-5010
10 mm

DXL-PH-5012
12mm

DXL-PH-5014
14mm

STANDARD
PLATFORM

DIAMETER
5.0
COLOUR CODE
GREY
INTERNAL HEX
2.24



DXL COVER SCREW STERILE
Ø3,1xH0mm / DXL-3000001-S
Only DXL Premium Hybrid
Implant with cover series
include cover screw.

ATTENTION!
It is possible to order implants with cover screw.

Please, consult DXL web site for implantation protocol.

www.dxlimplant.de / ifu.dxlimplant.de

DXL
SMART IMPLANT

CONICAL-HEX CONNECTION

The morse-tapered hexagon, or conical-hex is a "standardized" implant-abutment connection, which enables indexing and positively maintains the stability of permanent dental fixtures. The conical part has a bacteria-dense seal. The sloped-shoulder can ensure and maintain a greater boney-wall apposition.

THREAD SPECS

The spiral-shaped crestal to apical tapered "progressive" thread is stronger at its outer flanges and was developed for a better primary stability in extraction sockets. This implant can be used for early & immediate loading protocols.

SURFACE

DXL® implants have a specific surface roughness (Ra: 2.3 - 3.0 µm) which supports a predictable osseointegration into the jawbone without complications. DXL implants SBAE (Sand-Blasted Acid-Etched) surface is the latest generation of this type of standardized dental implant surface. The increased surface area provides for an ideal coagulum-docking, which is responsible for the boney-wall-to-implant apposition. Due to this advantage the implant maintains a higher primary stability and has a quicker osseointegration.

APICAL DESIGN

Due to the precise convex or "bullet-nose" non-invasive apical implant design/shape at the end of the taper, it can prevent damage/trauma to anatomical bone structures or the sensitive sinus membrane tissue, such as during sinus-lift procedures – thus reducing the time of the surgical protocol.



In order to continuously develop our designs/types of dental implants, we engage in a communicative exchange with implantologists in private practice:s/clinic:s as well as at university level and observe our technology transfer very closely and critically.

Established "gold:en standard" requirements, as well as current trends in implant design and surface topography, are transformed into viable dental implant solutions with our supply-chain engineers, technicians and contacts.

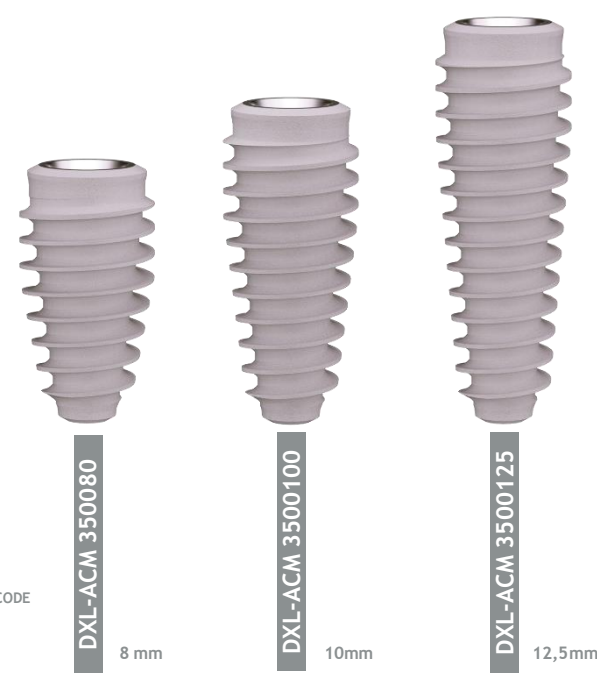
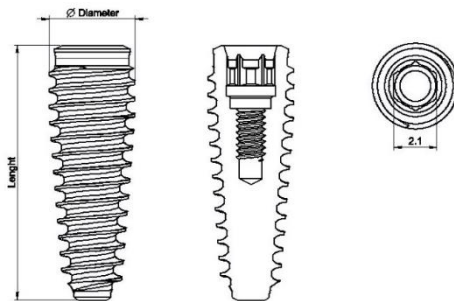
Through innovative technologies, optimization processes, controlled quality and a high level of innovation, the DXL® Medical GmbH succeeds in combining technology, design and product, into a dental implant-bodily harmony, especially for you. In lieu of this background, innovative solutions have been created, which we are happy to implement in accordance with your requirements, to fabricate individually unique and sustainable dental implants/secondary components.

With the dental implant types from DXL® Medical, you can provide your patients with a targeted, predictable, responsible and sustainable dental implant therapy. The "Premium Hybrid" and the "Smart" dental implant types from DXL® Medical are both fully "feature-loaded", durable/versatile and meet or exceed the highest demands/standards.

Are you looking for a "Great & Affordable" solution in the dental implant segment, hence a solution to avoid products that only encourage patient migration?

Then you are in the best of hands with DXL® Medical Dental Implant System:s Solutions !!

DXL SMART IMPLANT




NARROW
PLATFORM

DIAMETER
3.5

COLOUR CODE
YELLOW

INTERNAL HEX
2.1

DXL NARROW COVER SCREW STERILE
Ø2,6xH0mm / DXL-3000001-N-S

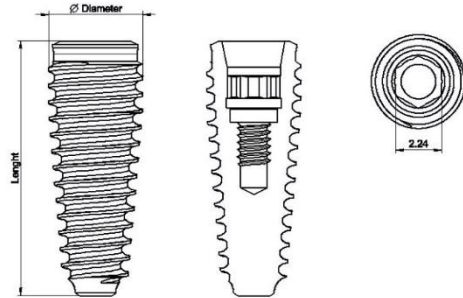


Only DXL Premium Hybrid Implant with cover series include cover screw.

ATTENTION!
It is used for installation in front and lateral parts canines, incisors, premolars.
It is possible to order implants with cover screw.

Please, consult DXL web site for implantation protocol.
www.dxlimplant.de / ifu.dxlimplant.de

DXL SMART IMPLANT



PRODUCT CODE

LENGTH

DXL-ACM 400080
8 mm

DXL-ACM 400100
10 mm

DXL-ACM 350125
12.5 mm

DXL-ACM 400150
15 mm



STANDARD
PLATFORM

DIAMETER

4.0

COLOUR CODE

RED

INTERNAL HEX

2.24



DXL COVER SCREW STERILE
Ø3,1xH0mm / DXL-3000001-S

Only DXL Premium Hybrid
Implant with cover series
include cover screw.

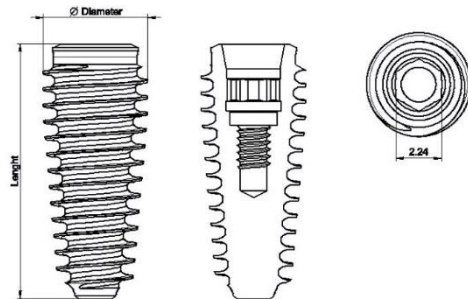
ATTENTION!

It is possible to order implants with cover screw.

Please, consult DXL web site for implantation protocol.

www.dxlimplant.de / ifu.dxlimplant.de

DXL SMART IMPLANT



PRODUCT CODE	LENGTH
DXL-ACM 455080	8 mm
DXL-ACM 455100	10 mm
DXL-ACM 455125	12.5 mm
DXL-ACM 455150	15 mm

STANDARD PLATFORM

DIAMETER
4.5

COLOUR CODE
GREEN

INTERNAL HEX
2.24



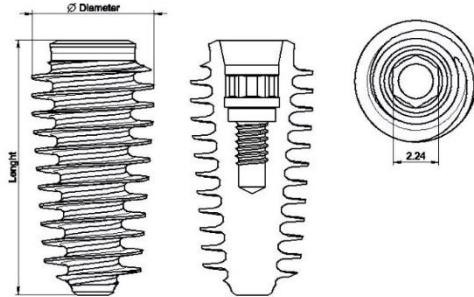
DXL COVER SCREW STERILE
Ø3,1xH0mm / DXL-3000001-S
Only DXL Premium Hybrid
Implant with cover series
include cover screw.

ATTENTION!
It is possible to order implants with cover screw.

Please, consult DXL web site for implantation protocol.

www.dxlimplant.de / ifu.dxlimplant.de

DXL SMART IMPLANT




PRODUCT CODE	LENGTH
DXL-ACM 550080	8 mm
DXL-ACM 550100	10 mm
DXL-ACM 550125	12.5mm
DXL-ACM 550150	15mm

STANDARD
PLATFORM

DIAMETER
5.5

COLOUR CODE
BLUE

INTERNAL HEX
2.24

 **DXL COVER SCREW STERILE**
Ø3,1xH0mm / DXL-3000001-S
Only DXL Premium Hybrid
Implant with cover series
include cover screw.

ATTENTION!
It is possible to order implants with cover screw.

Please, consult DXL web site for implantation protocol.

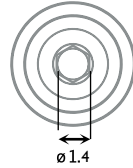
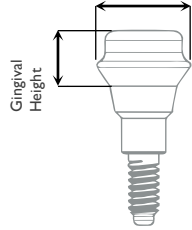
www.dxlimplant.de / ifu.dxlimplant.de

SUPRASTRUCTURES

HEALING CAPS

Standard Platform

Ø 4.7

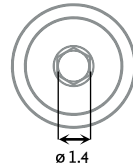
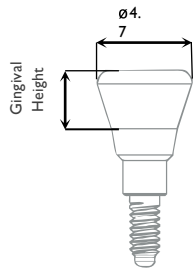


PRODUCT CODE **DXL-4444720** **DXL-4444730** **DXL-4444740** **DXL-4444750**

DIAMETER	4.7 mm	4.7 mm	4.7 mm	4.7 mm
GINGIVAL HEIGHT	3.5 mm	4.5 mm	5.5 mm	6.5 mm

SCREW DRIVER
1.4 HEX
 MATERIAL Titanium Grade 5

Ø 4.8

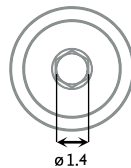
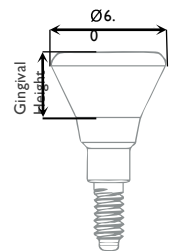


PRODUCT CODE **DXL-4004510** **DXL-4004520** **DXL-4004530** **DXL-4004540** **DXL-4004550** **DXL-4004560**

DIAMETER	4.8 mm	4.8 mm	4.8 mm	4.8 mm	4.8 mm	4.8 mm
GINGIVAL HEIGHT	1 mm	2 mm	3 mm	4 mm	5 mm	6 mm

SCREW DRIVER
1.4 HEX
 MATERIAL Titanium Grade 5

Ø 6.0



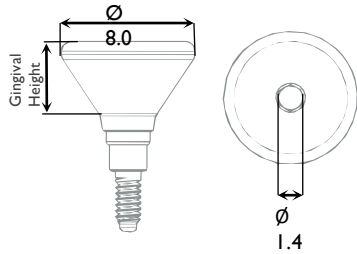
PRODUCT CODE **DXL-4006020** **DXL-4006030** **DXL-4006040** **DXL-4006050** **DXL-4006060**

DIAMETER	6.0 mm	6.0 mm	6.0 mm	6.0 mm	6.0 mm
GINGIVAL HEIGHT	2 mm	3 mm	4 mm	5 mm	6 mm

SCREW DRIVER
1.4 HEX
 MATERIAL Titanium Grade 5

HEALING CAPS

Standard Platform



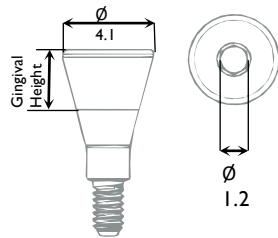
Ø 8.0



PRODUCT CODE	DXL-4008030	DXL-4008050
DIAMETER	8.0 mm	8.0 mm
GINGIVAL HEIGHT	3.0 mm	5.0 mm

SCREW DRIVER
1.2 HEX
 MATERIAL Titanium Grade 5

Narrow Platform



Ø 4.1



PRODUCT CODE	DXL-4004120-N	DXL-4004130-N	DXL-4004150-N
DIAMETER	4.1 mm	4.1 mm	4.7 mm
GINGIVAL HEIGHT	3.5 mm	4.5 mm	5.5 mm

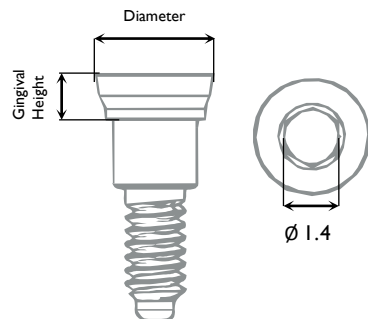
SCREW DRIVER
1.2 HEX
 MATERIAL Titanium Grade 5

Attention: Ø 3.3 and Ø 3.5 mm diameter DXL implants have the narrow platform.

COVER SCREW

Standard Platform

SCREW DRIVER
1.4HEX



PRODUCTCODE DXL-3000001 DXL-3000021 DXL-3000100

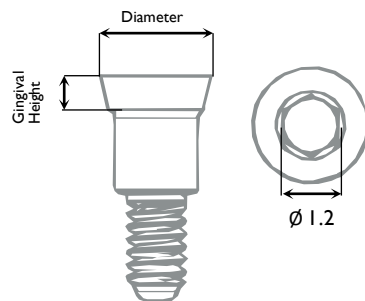
PRODUCTCODE	DXL-3000001	DXL-3000021	DXL-3000100
DIAMETER	3.1 mm	3.1 mm	6.0 mm
GINGIVAL HEIGHT	0 mm	2 mm	1 mm

MATERIAL Titanium Grade 5

It is possible to order cover screw as sterile.

Narrow Platform

SCREW DRIVER
1.2HEX



Ø 2.6



PRODUCTCODE DXL-3000001-N DXL-3000021-N

PRODUCTCODE	DXL-3000001-N	DXL-3000021-N
DIAMETER	2.6 mm	2.6 mm
GINGIVAL HEIGHT	0 mm	2 mm

MATERIAL Titanium Grade 5

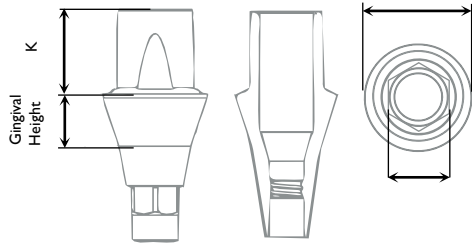
It is possible to order cover screw as sterile.

Attention: Ø 3.3 and Ø 3.5 mm diameter DXL implants have the narrow platform.

STRAIGHT ABUTMENTS

Standard Platform

**Ø 5.0
SHORT**

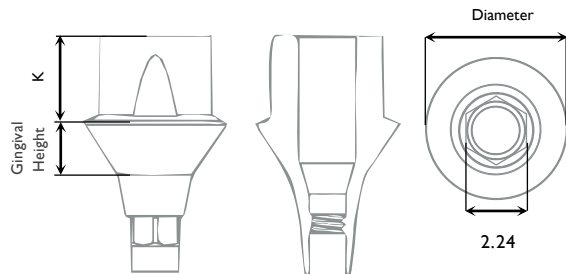


DIAMETER	K	GINGIVAL HEIGHT	PRODUCT CODE
5.0 mm	4 mm	1	DXL-7010501
5.0 mm	4 mm	2	DXL-7010502
5.0 mm	4 mm	3	DXL-7010503
5.0 mm	4 mm	4	DXL-7010504
5.0 mm	4 mm	5	DXL-7010505
5.0 mm	4 mm	6	DXL-7010506

MATERIAL Titanium Grade 5

STRAIGHT ABUTMENTS

**Ø 6.5
SHORT**



DIAMETER	K	GINGIVAL HEIGHT	PRODUCT CODE
6.5 mm	4 mm	1	DXL-7016501
6.5 mm	4 mm	2	DXL-7016502
6.5 mm	4 mm	3	DXL-7016503

MATERIAL Titanium Grade 5

Each abutment set includes



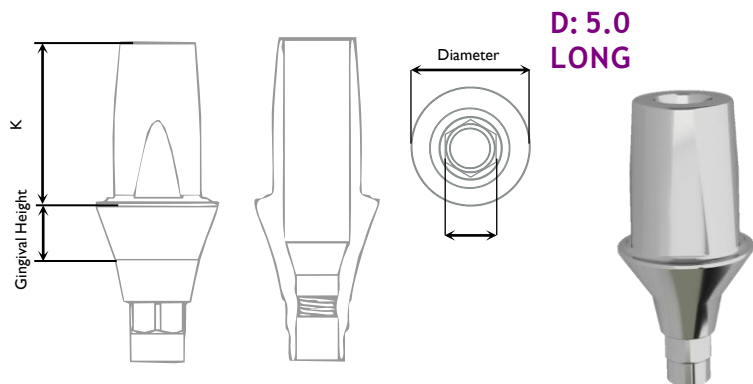
PROSTHETIC SCREW

**SCREW DRIVER
1.4HEX**

Titanium straight abutment for standard platform 2.24 mm .
Prosthetic screw in each set. It is installed using universal or hand prosthetic insertion driver.

STRAIGHT ABUTMENTS

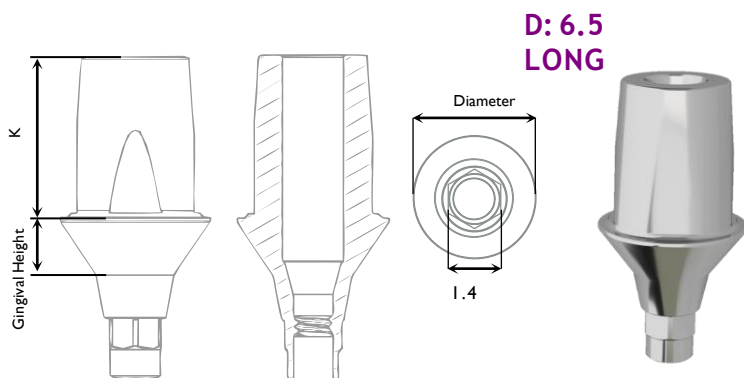
Standard Platform


**D: 5.0
LONG**

DIAMETER	K	GINGIVAL HEIGHT	PRODUCT CODE
5.0 mm	7 mm	1	DXL-7020501
5.0 mm	7 mm	2	DXL-7020502
5.0 mm	7 mm	3	DXL-7020503
5.0 mm	7 mm	4	DXL-7020504
5.0 mm	7 mm	5	DXL-7020505
5.0 mm	7 mm	6	DXL-7020506

MATERIAL Titanium Grade5

STRAIGHT ABUTMENTS


**D: 6.5
LONG**

DIAMETER	K	GINGIVAL HEIGHT	PRODUCT CODE
6.5 mm	7 mm	1	DXL-7026501
6.5 mm	7 mm	2	DXL-7026502
6.5 mm	7 mm	3	DXL-7026503

MATERIAL Titanium Grade 5

Titanium straight abutment for standard platform 2.24 mm .
 Prosthetic screw in each set. It is installed using universal or hand prosthetic insertion driver.

INTERNAL HEX

2.24

Each abutment set includes

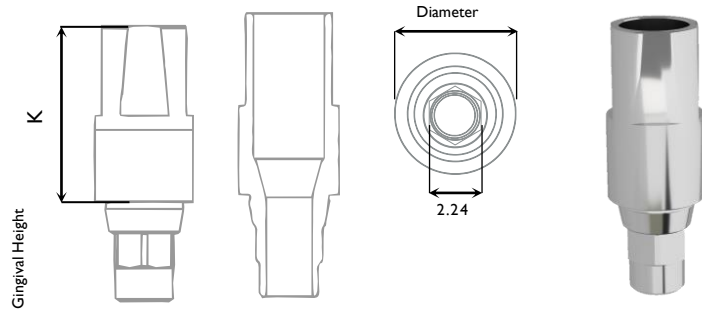


PROSTHETIC SCREW

**SCREW DRIVER
1.4HEX**

STRAIGHT ABUTMENTS

Standard Platform



DIAMETER	K	GINGIVAL HEIGHT	PRODUCT CODE
3.7 mm	5 mm	0	DXL-7010500
3.7 mm	7 mm	0	DXL-7020500
3.7 mm	9 mm	0	DXL-7030500

Each abutment set includes



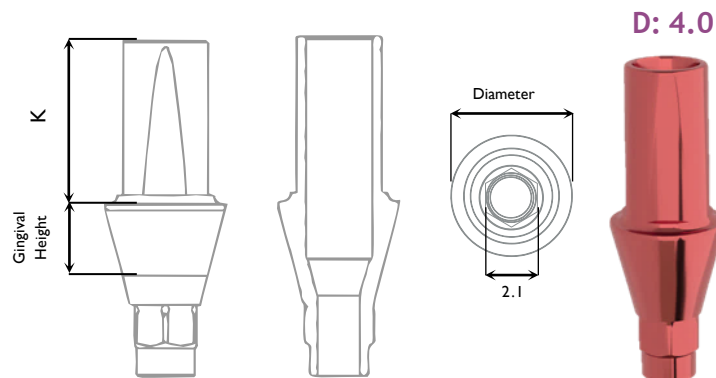
PROSTHETIC SCREW

INTERNAL HEX
2.24

**SCREW DRIVER
1.4HEX**

MATERIAL Titanium Grade 5

Narrow platform



DIAMETER	K	GINGIVAL HEIGHT	PRODUCT CODE
4 mm	5.5 mm	1	DXL-7020401-N
4 mm	5.5 mm	2	DXL-7020402-N
4 mm	5.5 mm	3	DXL-7020403-N

Each abutment set includes



PROSTHETIC SCREW

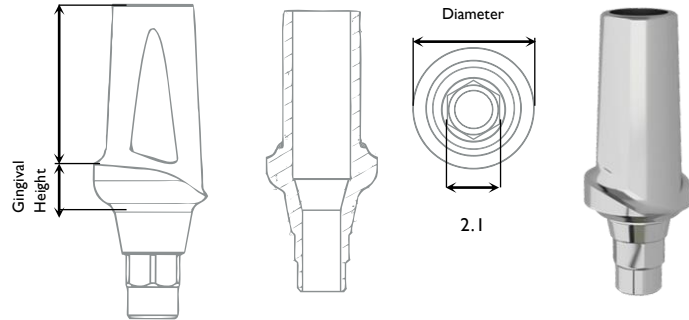
INTERNAL HEX
2.1

**SCREW DRIVER
1.2HEX**

MATERIAL Titanium Grade 5

Titanium straight abutment for narrow platform 2.1 mm.
Prosthetic screw in each set. It is installed using universal or hand prosthetic insertion driver.

ANGLE: 0° DIAMETER:5.0



DIAMETER	K	GINGIVAL HEIGHT	PRODUCT CODE
5 mm	7 mm	1	DXL-10010005-S
5 mm	7 mm	2	DXL-1001010-S
5 mm	7 mm	3	DXL-1001030-S

INTERNAL HEX
2.24

**SCREW DRIVER
1.4HEX**

Each abutment set includes



PROSTHETIC SCREW

Straight Aesthetic titanium abutment for standard platform 2.24 mm with variety dimensions gingival height.
Prosthetic screw in each set. It is installed using universal or hand prosthetic insertion driver.

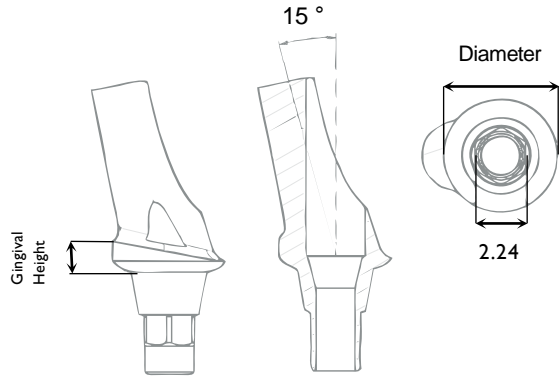
MATERIAL Titanium Grade 5

AESTHETIC ANGLED ABUTMENTS

Standard



ANGLE: 15° DIAMETER:5.0



DIAMETER	K	GINGIVAL HEIGHT	PRODUCT CODE	ANGLE
5.0 mm	7 mm	0,5	DXL-10020005	15°
5.0 mm	7 mm	1,5	DXL-10020015	15°
5.0 mm	7 mm	2,5	DXL-10020025	15°
5.0 mm	7 mm	3,5	DXL-10020035	15°
5.0 mm	7 mm	5	DXL-10020045	15°

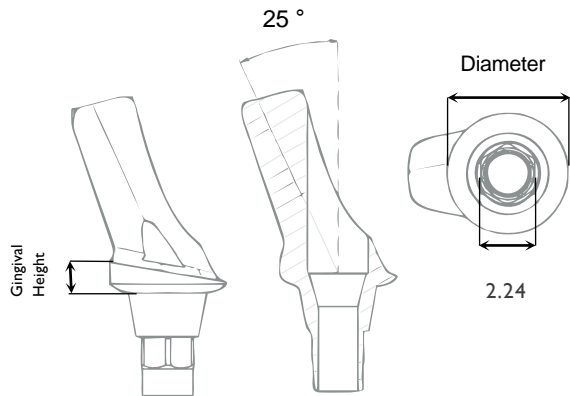
MATERIAL Titanium Grade5

INTERNAL HEX
2.24

SCREW DRIVER
1.4HEX

AESTHETIC ANGLED ABUTMENTS

ANGLE: 25° DIAMETER:5.0



DIAMETER	K	GINGIVAL HEIGHT	PRODUCT CODE	ANGLE
5.0 mm	7 mm	0,5	DXL-10040005	25°
5.0 mm	7 mm	1,5	DXL-10040015	25°
5.0 mm	7 mm	2,5	DXL-10040025	25°
5.0 mm	7 mm	3,5	DXL-10040035	25°
5.0 mm	7 mm	5	DXL-10040045	25°

Each abutment set includes

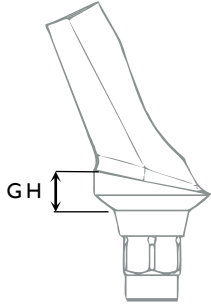


Aesthetic Angled titanium abutment for standard platform 2.24 mm with variety dimensions gingival height. Prosthetic screw in each set. It is installed using universal or hand prosthetic insertion driver.

MATERIAL Titanium Grade5

AESTHETIC ANGLED ABUTMENTS

Narrow Platform



ANGLE: 15° DIAMETER:4.0



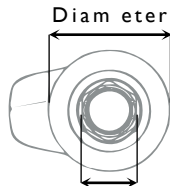
DIAMETER	GINGIVAL HEIGHT	PRODUCT CODE	ANGLE
4.0 mm	0,5	DXL-10020005-N	15°
4.0 mm	1	DXL-10020010-N	15°
4.0 mm	2	DXL-10020020-N	15°
4.0 mm	3	DXL-10020030-N	15°



ANGLE: 25° DIAMETER:4.0



DIAMETER	GINGIVAL HEIGHT	PRODUCT CODE	ANGLE
4.0 mm	0,5	DXL-10040005-N	25°
4.0 mm	1	DXL-10040010-N	25°
4.0 mm	2	DXL-10040020-N	25°



INTERNAL HEX
2.1

MATERIAL Titanium Grade 5

SCREW DRIVER
1.2HEX

Each abutment set includes



PROSTHETIC SCREW

Angulated anatomic titanium abutment for narrow platform 2.1 mm with variety dimensions gingival height or without it. Prosthetic screw in each set. It is installed using universal or hand prosthetic insertion driver.

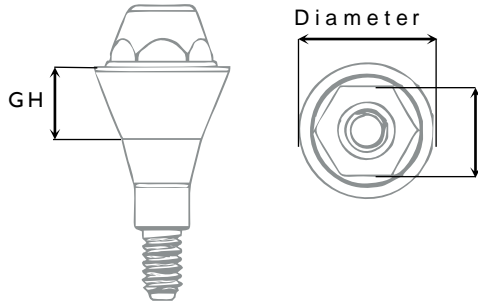
Attention: Ø3.3 and Ø3.5 mm diameter DXL implants have the narrow platform.

MULTI STRAIGHT ABUTMENT, Non-Hex

Standard Platform, NonHex



ANGLE: 0° DIAMETER: 4.8



DIAMETER	GINGIVAL HEIGHT	PRODUCT CODE
4.8 mm	0	DXL-20750000
4.8 mm	1	DXL-20750010
4.8 mm	2	DXL-20750020
4.8 mm	3	DXL-20750030

**DRIVER
3.2 HEX**

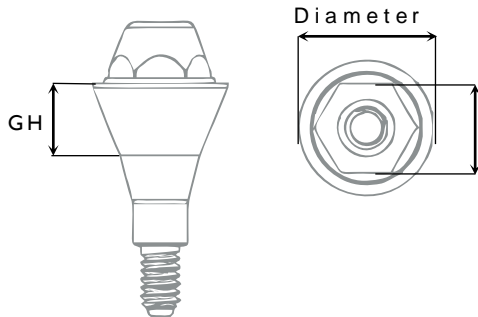
Each abutment set includes



PROSTHETIC SCREW

MATERIAL Titanium Grade 5

Narrow platform, Non Hex



ANGLE: 0° DIAMETER: 4.8



DIAMETER	GINGIVAL HEIGHT	PRODUCT CODE
4.8 mm	0	DXL-20750010-N
4.8 mm	1	DXL-20750020-N
4.8 mm	2	DXL-20750030-N

**DRIVER
3.2 HEX**

Each abutment set includes



PROSTHETIC SCREW

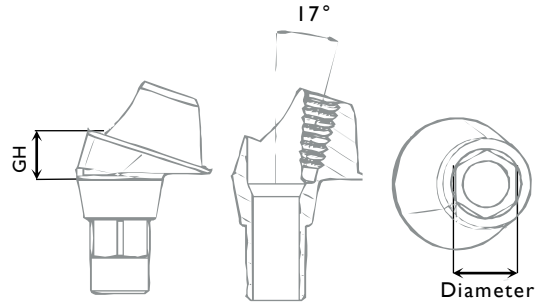
MATERIAL Titanium Grade 5

Multi Abutments, only for bar, bridge or fused crowns – Not suitable for single tooth restorations or copings.

Attention: $\varnothing 3.3$ and $\varnothing 3.5$ mm diameter DXL implants have the narrow platform (2.1 mm).

MULTI ANGLED ABUTMENT

Standard

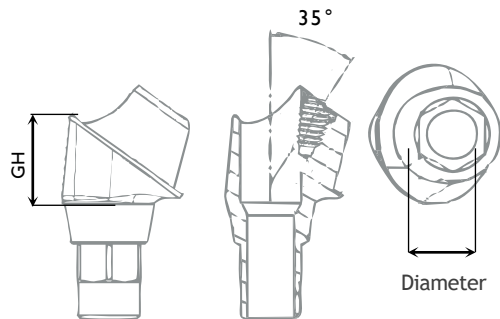


ANGLE: 17° DIAMETER:4.8

DIAMETER	GINGIVAL HEIGHT	PRODUCT CODE	ANGLE
4.8 mm	0,5	DXL-20751705	17°
4.8 mm	1,5	DXL-20751715	17°
4.8 mm	3,5	DXL-20751735	17°

MATERIAL Titanium Grade5

MULTI ANGLED ABUTMENTS



ANGLE: 35° DIAMETER:4.8

DIAMETER	GINGIVAL HEIGHT	PRODUCT CODE	ANGLE
4.8 mm	0,5	DXL-20753505	35°
4.8 mm	1,5	DXL-20753515	35°
4.8 mm	3,5	DXL-20753535	35°

Healing Cap

for screw retained abutment / angulated multi-unit



DXL-003-00005

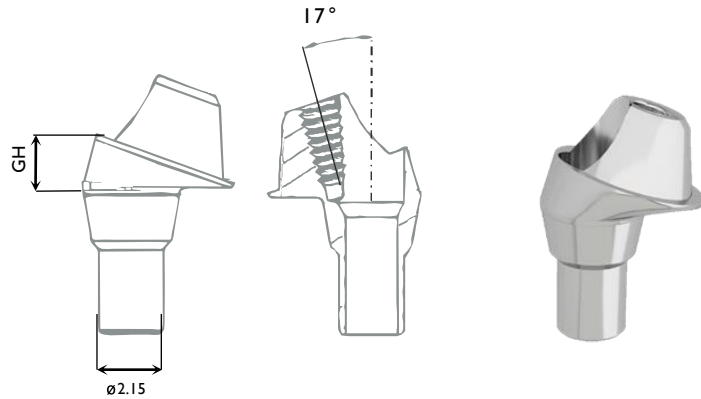
D 4.8 mm L4.0 mm

MATERIAL Titanium Grade 5

Multi Abutments, only for bar, bridge or fused crowns – Not suitable for single tooth restorations or copings.

MULTI ANGLED ABUTMENT, Non-Hex

Standard Platform



MATERIAL Titanium Grade 5

ANGLE: 17° DIAMETER:4.8

DIAMETER	GINGIVAL HEIGHT	PRODUCT CODE	ANGLE
4.8 mm	0,5	DXL-20851705	17°
4.8 mm	1,5	DXL-20851715	17°
4.8 mm	3,5	DXL-20851735	17°

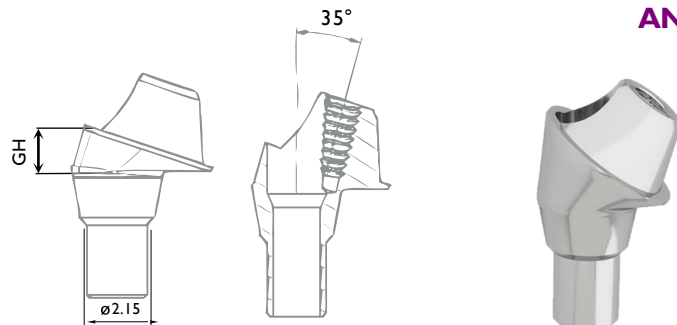
SCREW DRIVER 1.2 HEX

Each abutment set includes



PROSTHETIC SCREW

AESTHETIC ANGLED ABUTMENTS



MATERIAL Titanium Grade 5

ANGLE: 35° DIAMETER:4.8

DIAMETER	GINGIVAL HEIGHT	PRODUCT CODE	ANGLE
4.8 mm	0,5	DXL-20853505	35°
4.8 mm	1,5	DXL-20853515	35°
4.8 mm	3,5	DXL-20853535	35°

SCREW DRIVER 1.2 HEX

Each abutment set includes

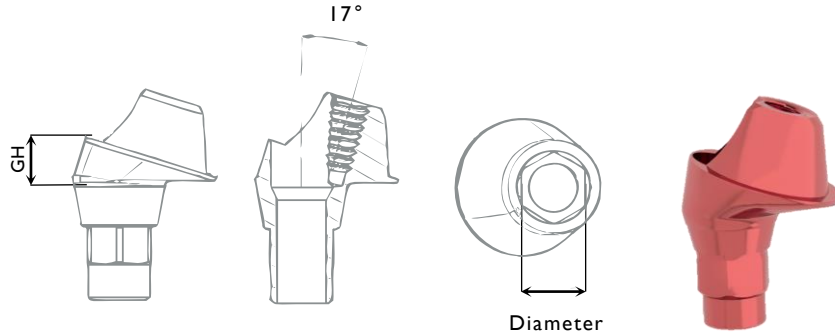


PROSTHETIC SCREW

MULTI ANGLED ABUTMENT, Non-Hex

Narrow Platform

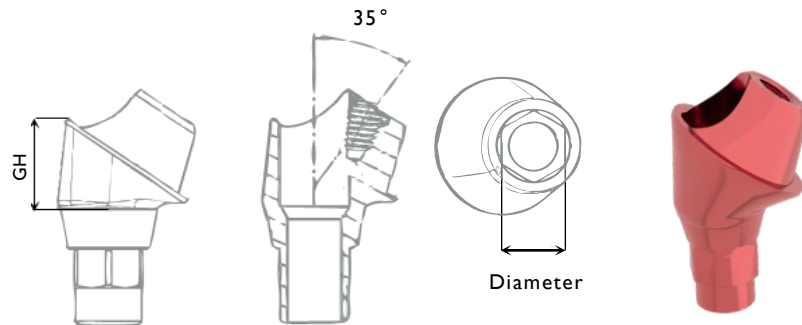
ANGLE: 17° DIAMETER:4.8



MATERIAL Titanium Grade 5

DIAMETER	GINGIVAL HEIGHT	PRODUCT CODE	ANGLE
4.8 mm	1	DXL-20751710-N	17°
4.8 mm	2	DXL-20751720-N	17°

MULTI ANGLED ABUTMENTS, Non-Hex



MATERIAL Titanium Grade 5

DIAMETER	GINGIVAL HEIGHT	PRODUCT CODE	ANGLE
4.8 mm	1	DXL-20753510-N	35°
4.8 mm	2	DXL-20753520-N	35°

SCREW DRIVER 1.2 HEX

Each abutment set includes



PROSTHETIC SCREW

Multi Abutments, only for bar, bridge or fused crowns – Not suitable for single tooth restorations or copings.

Attention: ø3.3 and ø3.5 mm diameter DXL implants have the narrow platform (2.1 mm).

LOCATORS

Standard



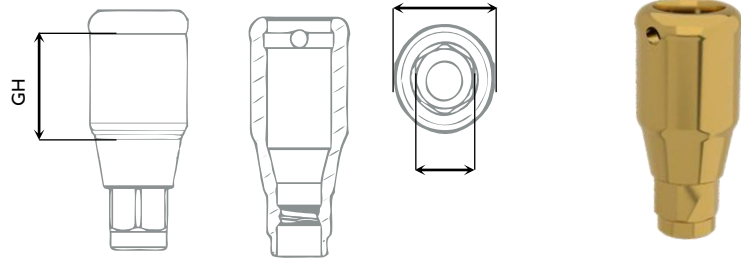
INTERNAL HEX
2.24

**SCREW DRIVER
1.4HEX**

Each abutment set includes



PROSTHETIC
SCREW



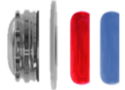
DIAMETER	GINGIVAL HEIGHT	PRODUCT CODE
3.7 mm	1	DXL-031-020001
3.7 mm	2	DXL-031-020002
3.7 mm	3	DXL-031-020003
3.7 mm	4	DXL-031-020004
3.7 mm	5	DXL-031-020005

MATERIAL Titanium Grade5

LOCATOR CAP

DXL-31851910

Locator male processing package (titanium abutments with retention replacements, 10 pcs.)



MATERIAL Plastic

Locators for overdentures and removable dentures fixation for standard platform 2.24 mm as an element for dental prosthetics on two or more implants. It is installed using universal or hand prosthetic insertion driver.

Narrow platform

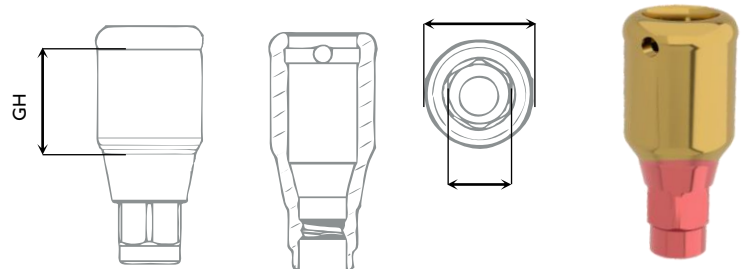
INTERNAL HEX
2.1

**SCREW DRIVER
1.2HEX**

Each abutment set includes



PROSTHETIC
SCREW



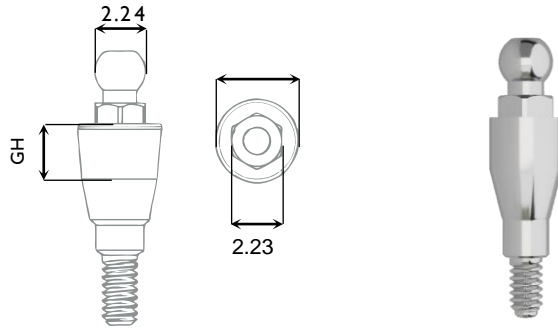
DIAMETER	GINGIVAL HEIGHT	PRODUCT CODE
3.0 mm	1	DXL-031-020001-N
3.0 mm	2	DXL-031-020002-N
3.0 mm	3	DXL-031-020003-N

MATERIAL Titanium Grade 5

Locators for overdentures and removable dentures fixation for narrow platform 2.1 mm as an element for dental prosthetics on two or more implants. It is installed using universal or hand prosthetic insertion driver.

BALL ABUTMENTS

Standard

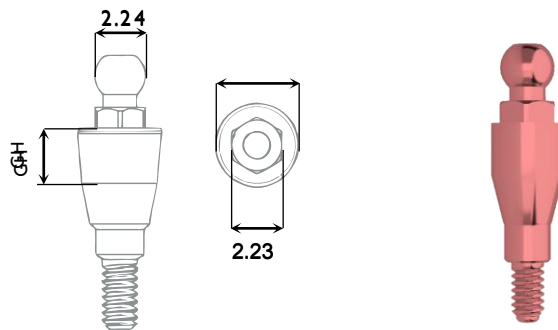


DIAMETER	GINGIVAL HEIGHT	PRODUCT CODE
3.7 mm	1	DXL-22060001
3.7 mm	2	DXL-22060002
3.7 mm	3	DXL-22060003
3.7 mm	4	DXL-22060004

MATERIAL Titanium Grade5

Ball abutments for overdentures and removable dentures fixation for Standard Platform 2.24mm as an element for dental prosthetics on two or more implants. It is installed using universal or hand prosthetic insertion driver.

Narrow platform



DIAMETER	GINGIVAL HEIGHT	PRODUCT CODE
5 mm	1	DXL-22060001-N
5 mm	2	DXL-22060002-N
5 mm	3	DXL-22060003-N

MATERIAL Titanium Grade5

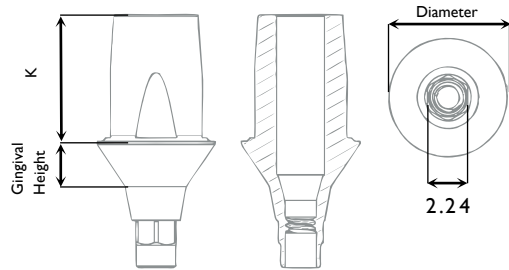
Ball abutments for overdentures and removable dentures fixation for narrow platform 2.1 mm as an element for dental prosthetics on two or more implants. It is installed using universal or hand prosthetic insertion driver.

PROSTHETICS FOR CAD/CAM

TIBASE



Titanium platform CAD/CAM for standard platform 2.24 mm



MATERIAL
Titanium Grade5

	PRODUCT CODE	Non Hex	ForCerec		
	DXL-029-000002	DXL-029-001001	DXL-029-000050	DXL-029-000007	DXL-029-000008
DIAMETER	4.6mm	4.4mm	4.5mm	4.6mm	4.4mm
K	4.0mm	4.0mm	4.65mm	4.0mm	4.0mm
GINGIVAL HEIGHT	0mm	0.5mm	1mm	2.5mm	1.5mm

PREMILABUTMENT

Each platform set includes
PROSTHETIC SCREW



DIAMETER	PRODUCT CODE
10 mm	DXL-023-000021
10 mm	DXL-023-000024













Narrow Platform

DIAMETER	PRODUCT CODE
10 mm	DXL-023-000023
10 mm	DXL-023-000026

The DXL Premils combine the peace of mind of a prefabricated connection area with the flexibility of a customised milled section. The prefabricated connection area of the DX Premils allows for best possible fit whilst the customised section can be milled to fit the individual anatomic requirements.

MATERIAL Titanium Grade 5

PROSTHETIC SCREWS

PRODUCT CODE	PRODUCT NAME	
DXL-7000001-01	DXL M1,6 Straight Abutment Screw	
DXL-11000001-01	DXL M1,6 Angled Abutment Screw	
DXL-20000010-01	DXL M1,6 Multi Abutment Screw	
DXL-31000001-01	DXL M1,6 Maximus Locater Abutment Screw	
DXL-31000001-01-N	DXL M1,4 Narrow Maximus Locater Abutment Screw	
DXL-20000011-01	DXL M1,4 Multi Abutment Tibase Screw	
DXL-11000001-01-N	DXL M1,4 Narrow Abument Screw	
DXL-20000010-01-N	DXL M1,4 Narrow Multi Abutment Screw	
DXL-30000005-01	DXL-Multi Unit Healing Cap Screw	
DXL-SHORT-000-01	DXL Short Abutment Screw	

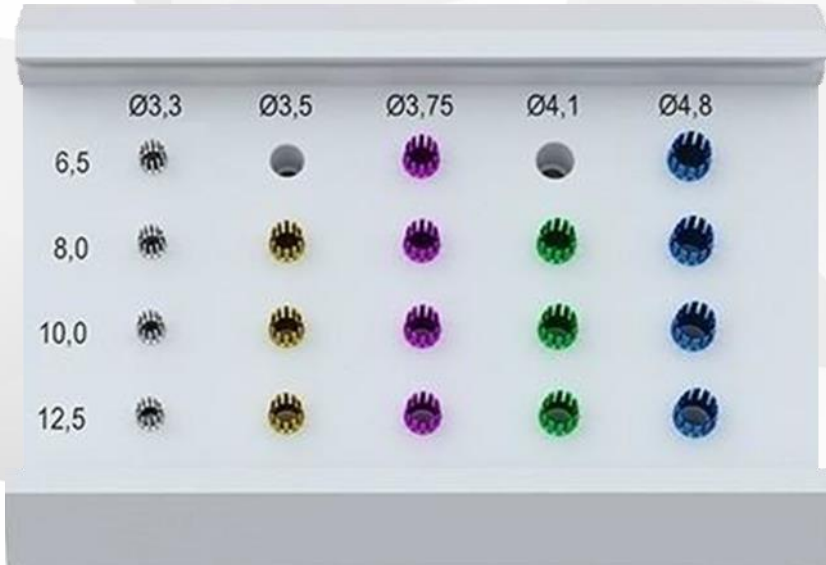
*Each Abutment set includes Prosthetic Screw.

Also can be ordered screws individually.



SURGICAL INSTRUMENTS

DXL STOPPER SET



STANDARD
PLATFORM

NARROW
PLATFORM

DXL SURGICAL KIT



For a quick and easy dental surgery

DXL Implants Surgical Kit is packed in carton box.

NARROW
PLATFORM

STANDARD
PLATFORM

DXL surgical kit is designed for a quick and easy installation of implants of all types.

All instruments in the kit are made of surgical steel



SURGICAL PARALLEL DRILLS

PARALLEL DRILLS



PRODUCT CODE	DXL-006330	DXL-007330	DXL-006290	DXL-007290	DXL-003345	DXL-006345	DXL-003375	DXL-006375
DIAMETER	2.8 mm	3.0 mm	3.1 mm	3.3 mm	3.4 mm	3.6 mm	3.4 mm	3.5 mm



PRODUCT CODE	DXL-003410	DXL-006410	DXL-003480	DXL-006480
DIAMETER	4.0 mm	4.4 mm	4.6 mm	4.7 mm

CRESTOTOM DRILL



DXL-000003

SHORT DRILLS



PRODUCT CODE	DXL-0180	DXL-0340	DXL-0380	DXL-0440
DIAMETER	1.8 mm	3.4 mm	3.8 mm	4.4 mm

SURGICAL DRILLS

PILOT FREZ
(CORTICAL)



DXL-FIL-186RF

UNIVERSAL DRILL



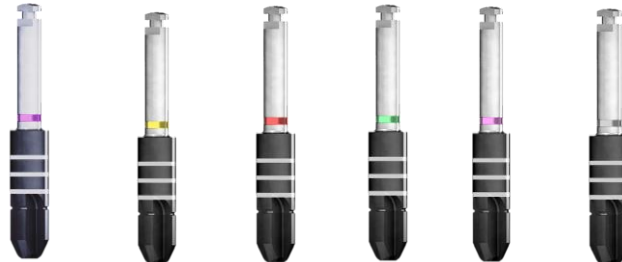
DXL-003330

UNIVERSAL DRILL
EXTENTION



DXL-960004

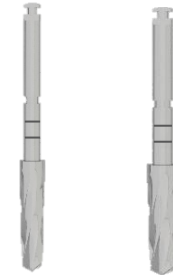
STOP DRILLS



DXL-005330 DXL-005345 DXL-005375 DXL-005410 DXL-005480 DXL-005400

PRODUCT
CODE

RETURN DRILLS



DXL-030R DXL-033R

DIAMETER

3.3mm 3.4mm 3.75mm 4.1mm 4.5mm 5.0mm

3.0mm 3.3mm

IMPLANT DRIVERS

**CONTRA-ANGLE
IMPLANT DRIVER**

STANDARD PLATFORM

NARROW PLATFORM

LOCKABLE

**UNIVERSAL MANUAL
ADAPTER (ISO Shaft)**



PRODUCT
CODE

DXL-15100001

DXL-15100002

DXL-15100004

DXL-15100002-N

DXL-15100040-N

DXL-960007

LENGHT

23mm

29mm

40mm

28.5mm

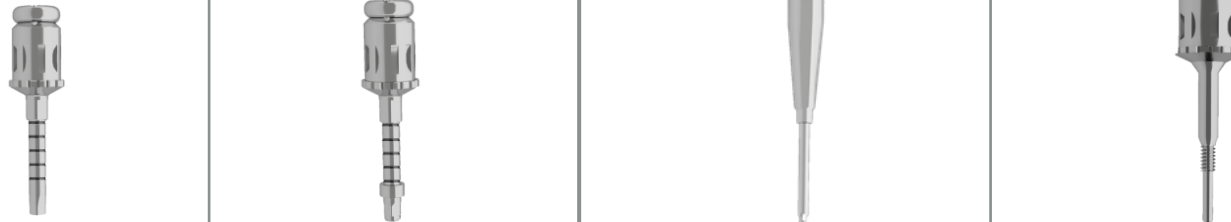
28.5mm

**DXL MANUAL
IMPLANT DRIVER**

**DXL MANUAL LOCKABLE
IMPLANT DRIVER**

**DXL SURGICAL DRIVER
For Instrument with
ISO-shaft**

**EXTRACTION TOOL,
For stripping abutments**



PRODUCT
CODE

DXL-15100021

DXL-15100035

DXL-15100020

DXL-15100005

SCREW DRIVERS FOR ABUTMENTS

CONTRA-ANGLE 1.4 HEXAGON SCREW DRIVER



DXL-950099 DXL-950098 DXL-950097

PRODUCT
CODE

LENGHT

24 mm 28 mm 45 mm

MANUAL 1.4 HEXAGON SCREW DRIVER



DXL-15100023 DXL-15100025 DXL-15100024

Short Medium Long

1.2 HEXAGON SCREW DRIVER



DXL-15100033 DXL-15100030 DXL-15100036

PRODUCT
CODE

LENGHT

24 mm 28 mm 45 mm

BALL ABUTMENT DRIVER



DXL-15100007

24 mm

MULTI ABUTMENT DRIVER



DXL-020000001

SCREW DRIVERS FOR ABUTMENTS

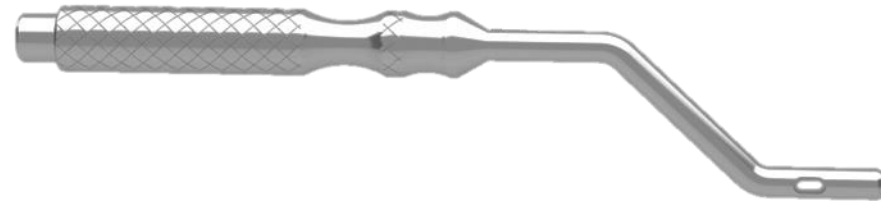
DXL LOCATER ABUTMENT DRIVER

SHORT

LONG



DXL MANUAL DRILL HANDPIECE



PRODUCT CODE

DXL-15100018

DXL-ACM-HLA

DXL-ACM-HLA

LENGHT

24 mm

29 mm

OTHER ACCESSORIES

DXL PARALLEL PINS
For drilling cavity control



DXL RATCHET
Adjustable torque of 10-45Ncm



PRODUCT CODE

DXL-14230315

DXL-14350410

DXL-960001

DIAMETER

2.3 / 3.15 mm

3.5 / 4.1 mm

STOPPERS FOR DRILLS



PRODUCT CODE	DXL-129049	DXL-129065	DXL-129080	DXL-129100	DXL-129125
DIAMETER	2.9 mm	2.9 mm	2.9 mm	2.9 mm	2.9 mm
DEPTH	4.9 mm	6.5 mm	8.0 mm	10.0 mm	12.5 mm

STOPPERS



PRODUCT CODE	DXL-138049	DXL-138065	DXL-138080	DXL-138100	DXL-138125
DIAMETER	3.45 mm	3.45 mm	3.45 mm	3.45 mm	3.45 mm
DEPTH	4.9 mm	6.5 mm	8.0 mm	10.0 mm	12.5 mm

STOPPERS



PRODUCT CODE	DXL-138049	DXL-138065	DXL-138080	DXL-138100	DXL-138125
DIAMETER	3.75 mm	3.75 mm	3.75 mm	3.75 mm	3.75 mm
DEPTH	4.9 mm	6.5 mm	8.0 mm	10.0 mm	12.5 mm

STOPPERS

STOPPERS FOR DRILLS

STOPPERS

PRODUCT CODE	DXL-141049	DXL-141065	DXL-141080	DXL-141100	DXL-141125
DIAMETER	4.1 mm	4.1 mm	4.1 mm	4.1 mm	4.1 mm
DEPTH	4.9 mm	6.5 mm	8.0 mm	10.0 mm	12.5 mm



STOPPERS

PRODUCT CODE	DXL-148049	DXL-148065	DXL-148080	DXL-148100	DXL-148125
DIAMETER	4.8 mm	4.8 mm	4.8 mm	4.8 mm	4.8 mm
DEPTH	4.9 mm	6.5 mm	8.0 mm	10.0 mm	12.5 mm



Laboratory Instruments

LABORATORY ANALOGS

STANDARD PLATFORM

Laboratory Implant Analog for standard platform as well as for narrow platform 2.5 mm. It is used in laboratory modeling.



DIAMETER 4.0mm
LENGTH 15mm

PRODUCT CODE **DXL-6010001**

NARROW PLATFORM



DIAMETER 4.0mm
LENGTH 10mm

PRODUCT CODE **DXL-6010003-N**

MULTI BASE



DIAMETER 4.8mm
LENGTH 1mm

PRODUCT CODE **DXL-29002010**



DIAMETER 4.8mm
LENGTH 0mm

PRODUCT CODE **DXL-29002011**



DIAMETER 4.8mm
LENGTH 9mm

PRODUCT CODE **DXL-6010007**



DIAMETER 4.8mm
LENGTH 11mm

PRODUCT CODE **DXL-6010007L**

MULTI ANALOGS

FOR CAD CAM

STANDART

SCANNING TRANSFER

Scanning Transfer Standard



DIAMETER 10mm
LENGTH 19.5mm

PRODUCT CODE **DXL-SCN-000001**

Each platform set includes
PROSTHETIC SCREW
SCREW

Narrow Scanning Transfer



Each platform set includes
PROSTHETIC SCREW

PRODUCT CODE **DXL-SCN-000003**

Multi Scanning Transfer



DIAMETER 11.5mm
LENGTH 4.1mm

PRODUCT CODE **DXL-SCN-000002**

Each platform set includes
PROSTHETIC SCREW

IMPRESSION TRANSFERS FOR CLOSE TRAY

STANDARD PLATFORM

NARROW PLATFORM

DIAMETER

4.2mm

5.1mm

4.5mm

4.0mm

LENGTH

17.85mm

18.45mm

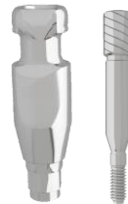
10.4mm

13.2mm

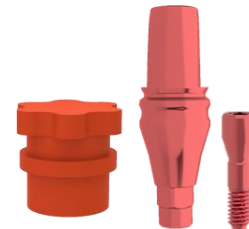


PRODUCT CODE
DXL-5020002

SLIM

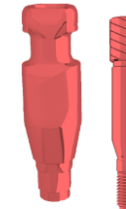


DXL-5020003



DXL-5020002-N

SLIM



DXL-5020003-N

Each platform set includes screw.

MATERIAL Titanium Grade 5

IMPRESSION TRANSFERS FOR OPEN TRAY

STANDARD PLATFORM

NARROW PLATFORM

DIAMETER

SHORT

LONG

SHORT

LONG

4.5 mm

4.5 mm

4.5 mm

4.5 mm

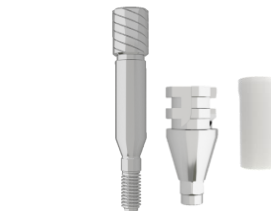
LENGTH

8 mm

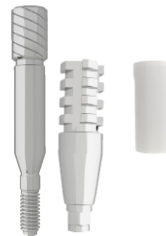
15.5 mm

8.5 mm

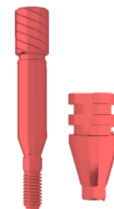
15 mm



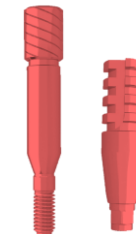
PRODUCT CODE
DXL-5030001



DXL-5030002



DXL-5030001-N



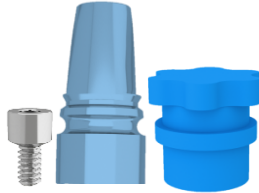
DXL-5030002-N

MATERIAL Titanium Grade 5

MULTI IMPRESSION TRANSFERS

FOR CLOSE TRAY

DIAMETER 4.5mm
LENGTH 11mm



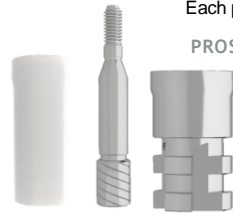
Each platform set includes
PROSTHETIC SCREW

PRODUCT CODE **DXL-5070001**

MATERIAL
Titanium Grade5

FOR OPEN TRAY

DIAMETER 4.8mm
LENGTH 11mm



Each platform set includes
PROSTHETIC SCREW

PRODUCT CODE **DXL-5070002**

MATERIAL
Titanium Grade5

DIAMETER 4.8mm
LENGTH 16.5mm



Each platform set includes
PROSTHETIC SCREW

PRODUCT CODE **DXL-5070020**

MATERIAL
Titanium Grade5

CAPS

DXL Transfer Cap

DIAMETER 7.7mm
LENGTH 6.7mm

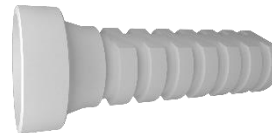


PRODUCT CODE **DXL-5040010**

MATERIAL
Plastic

DXL Plastik Multi Temporary Cap

DIAMETER 4.8mm
LENGTH 12mm

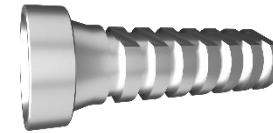


PRODUCT CODE **DXL-20952120**

MATERIAL
Plastic Burn Out

DXL Titanium Multi Temporary Cap

DIAMETER 4.8mm
LENGTH 12mm



PRODUCT CODE **DXL-20952120**

MATERIAL
Titanium Grade5

BAR ABUTMENT



WITH HEX

DIAMETER 4.5mm

LENGTH 11 mm



Each platform set includes
PROSTHETIC SCREW

PRODUCT CODE **DXL-11030001**

MATERIAL
Plastic
Burn-Out

NON HEX

DIAMETER 4.8mm

LENGTH 11 mm



Each platform set includes
PROSTHETIC SCREW

PRODUCT CODE **DXL-11030002**

MATERIAL
Plastic
Burn-Out

UNIVERSAL ABUTMENT

SHORT

DIAMETER 5.2mm

LENGTH 9.5mm



Each platform set includes
PROSTHETIC SCREW

PRODUCT CODE **DXL-8100001**

MATERIAL
Plastic
Burn-Out

LONG

DIAMETER 5.2mm

LENGTH 14.5mm



Each platform set includes
PROSTHETIC SCREW

PRODUCT CODE **DXL-8100002**

MATERIAL
Plastic
Burn-Out

CONICAL

DIAMETER 7 mm

LENGTH 9mm



Each platform set includes
PROSTHETIC SCREW

PRODUCT CODE **DXL-8020001**

MATERIAL
Plastic
Burn-Out

IMPLANTER

Swiss Motor

5.5Ncm motor torque can guarantee 80Ncm torque output

Germany bearing (Optional)

The swing amplitude of contra-angle is less than 0.02mm.



DIGITAL SOLUTIONS



DXL Medical GmbH
Wissenschaftspark Gelsenkirchen
Munscheidstraße 14
D-45886 Gelsenkirchen
Germany

T: +49 (0)2 09 - 366 83 006

F: +49 (0)2 09 - 366 83 005

www.dxlimplant.de
info@dxlimplant.de

© 2022 DXL Medical GmbH
All rights reserved. All associated trademarks,
trade dress, intellectual property and the elements
©, ® & ™ rights are owned by the DXL Medical GmbH,
Gelsenkirchen, Germany.

Printed in EU.

DXL
MEDICAL GmbH

